

AMERISINK

LEGEND

DUAL MOUNT STAINLESS STEEL SINK

AS360S

Features

- 24" x 15 5/8" x 4"
- Rose gold color
- 18 gauge, 304 stainless steel
- Dual mount sink
- Handcrafted
- Easy-to-clean, brushed finish
- Spray insulated undercoating & sound pads
- Includes template & installation hardware
- Limited lifetime warranty



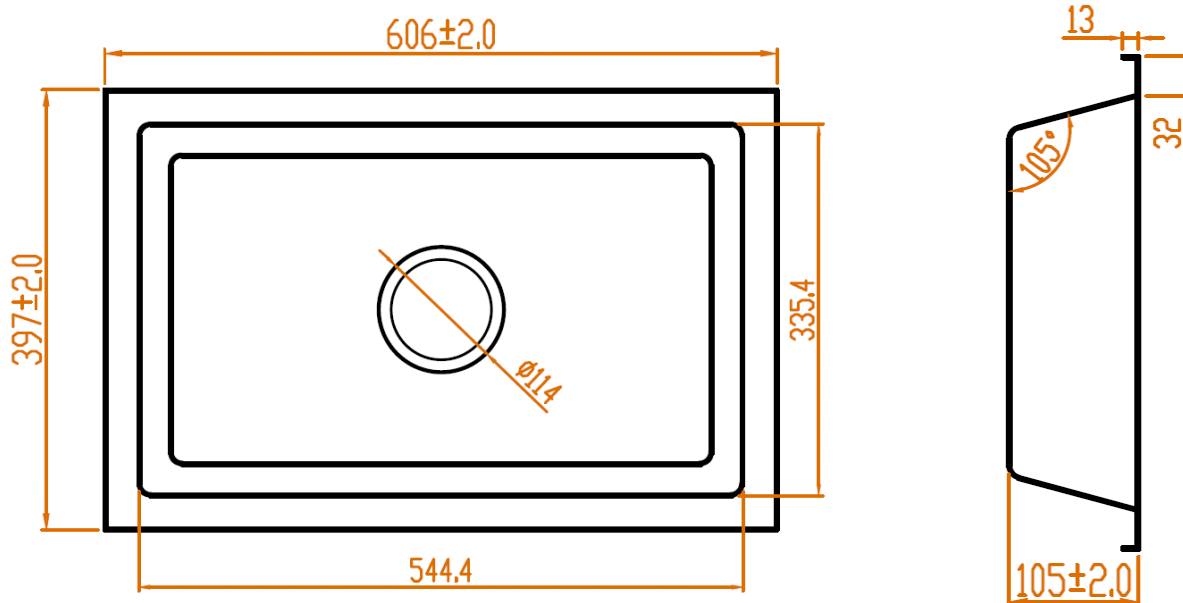
OPTIONAL ACCESSORY:

N/A

CODES:

ASME A112.19.3/CSA B45.4, cUPC

Product Diagram



1-877-500-SINK (7465)

WEST COAST WAREHOUSE: 510-667-9998  EAST COAST WAREHOUSE: 404-691-5088

WWW.AMERISINK.COM