

TWO-PIECE ELONGATED DUEL FLUSH TOILET

AS405

Features

- 29.53" x 16.73" x 30.51"
- 1000 Grams MAP
- ADA Compliant
- Fully Glazed Trap
- 1.28/1.05 GPF Dual Flush
- 3" R&T A2475M Flush Valve
- R&T A1260A Fill Valve

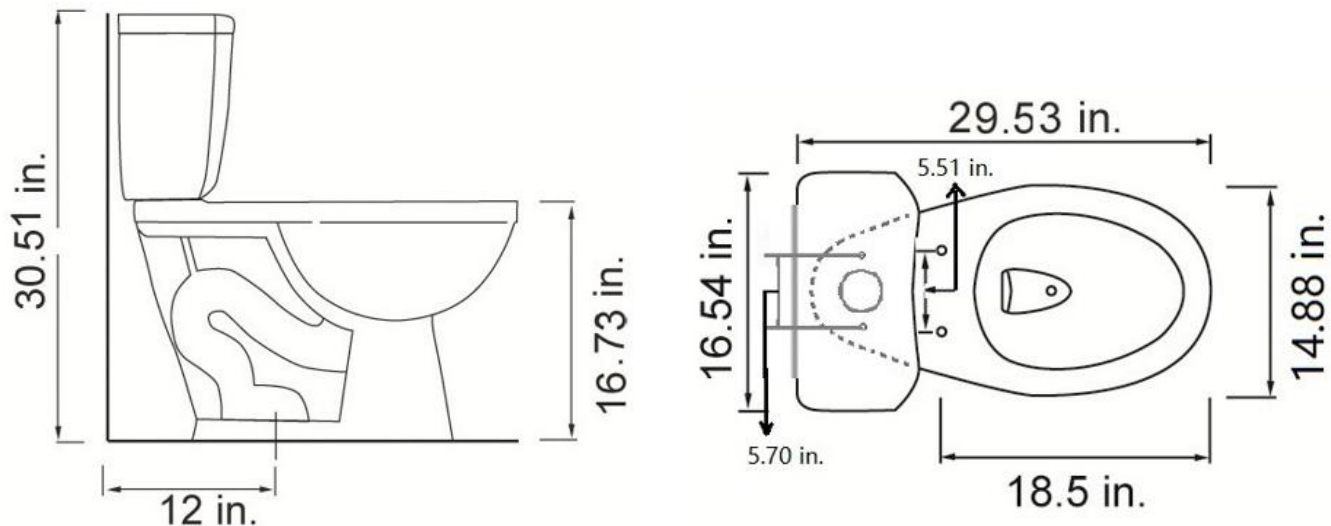
CODES:

ASME A112.19.3/CSA B45.4, cUPC

ADA Compliant



Product Diagram



1-877-500-SINK (7465)

WEST COAST WAREHOUSE: 510-667-9998  EAST COAST WAREHOUSE: 404-691-5088

WWW.AMERISINK.COM