

Features

- 25" x 22" x 6"
- 20 gauge, 304 stainless steel
- Top mount sink
- Easy-to-clean, brushed finish
- Spray insulated undercoating & sound pads
- Includes template & installation hardware
- Limited lifetime warranty
- 3-hole model available (AS110-3)
- Non-ADA Compliant model available (AS110)



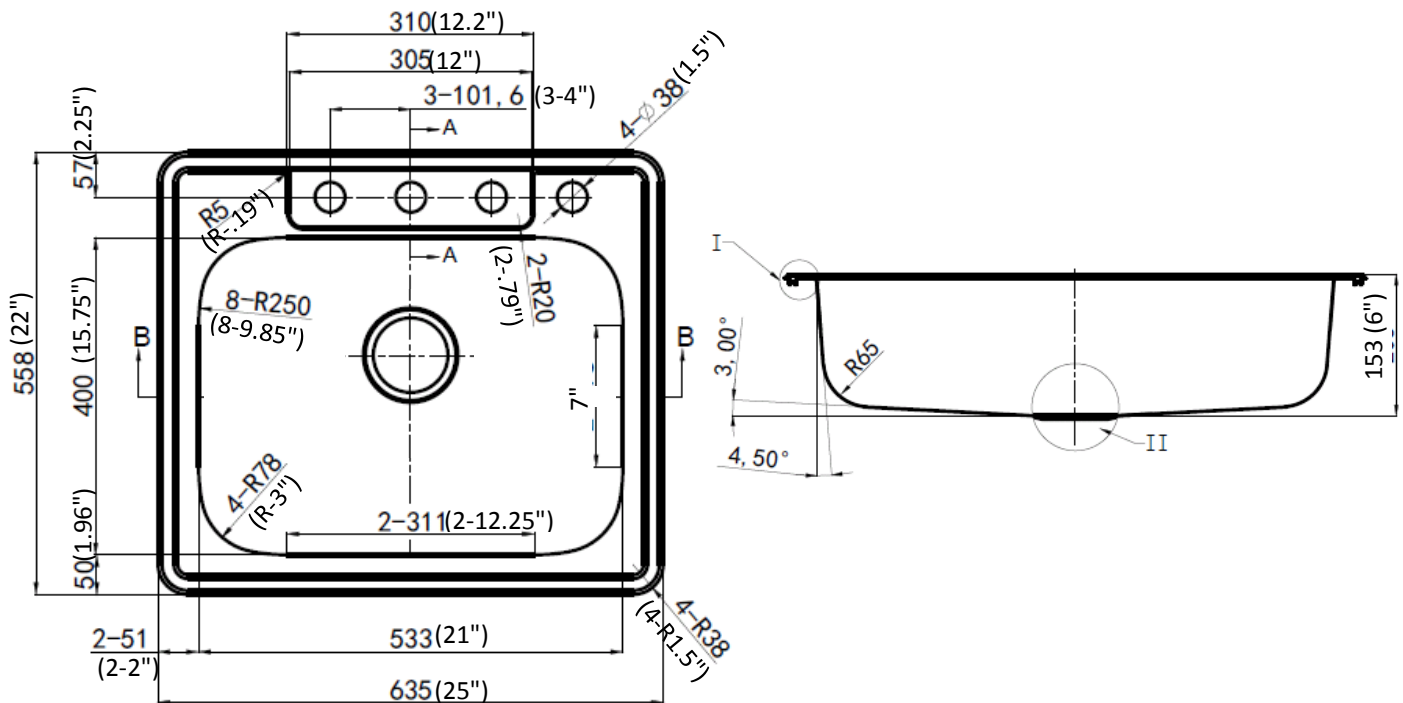
OPTIONAL ACCESSORY:

N/A

CODES:

ASME A112.19.3/CSA B45.4, cUPC

Product Diagram



1-877-500-SINK (7465)

WEST COAST WAREHOUSE: 510-667-9998  EAST COAST WAREHOUSE: 404-691-5088

WWW.AMERISINK.COM