

# AMERISINK

## LEGEND

## TOP MOUNT STAINLESS STEEL SINK

## AS325

### Features

- 33" x 22" x 10"
- 16 gauge, 304 stainless steel
- Top mount sink
- Handcrafted
- Easy-to-clean, brushed finish
- Spray insulated undercoating & sound pads
- Includes template & installation hardware
- Limited lifetime warranty



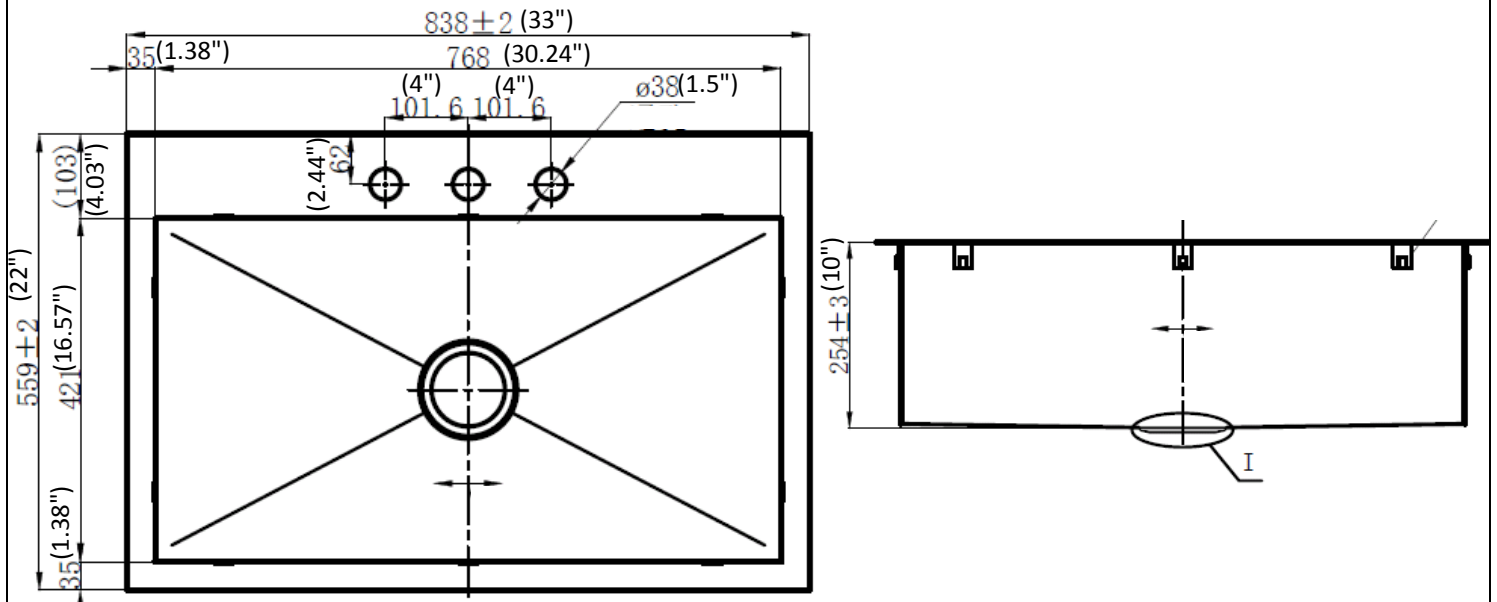
### OPTIONAL ACCESSORY:

N/A

### CODES:

ASME A112.19.3/CSA B45.4, cUPC

### Product Diagram



1-877-500-SINK (7465)

WEST COAST WAREHOUSE: 510-667-9998  EAST COAST WAREHOUSE: 404-691-5088

WWW.AMERISINK.COM