

# AMERISINK

**ECONOMY**
**UNDERMOUNT STAINLESS STEEL SINK**
**AS144**

## Features

- 32" x 18.5" x 8"
- 18 gauge, 304 stainless steel
- Easy-to-clean, brushed finish
- Spray insulated undercoating & sound pads
- Includes template & installation hardware
- Limited lifetime warranty



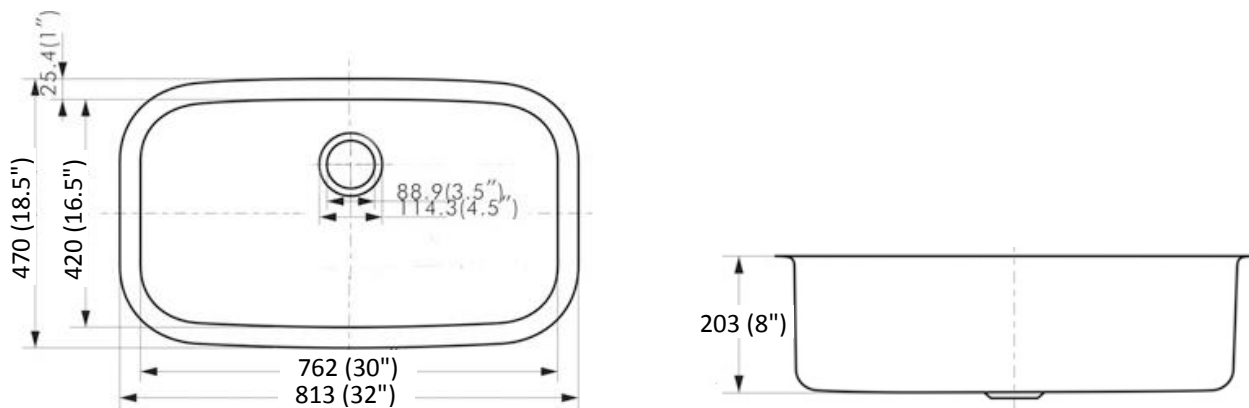
### OPTIONAL ACCESSORY:

BG 144 Bottom Grids

### CODES:

ASME A112.19.3/CSA B45.4, cUPC

## Product Diagram



**1-877-500-SINK (7465)**

WEST COAST WAREHOUSE: 510-667-9998  EAST COAST WAREHOUSE: 404-691-5088

**WWW.AMERISINK.COM**