

Features

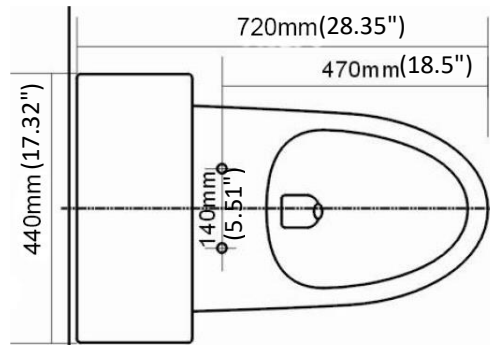
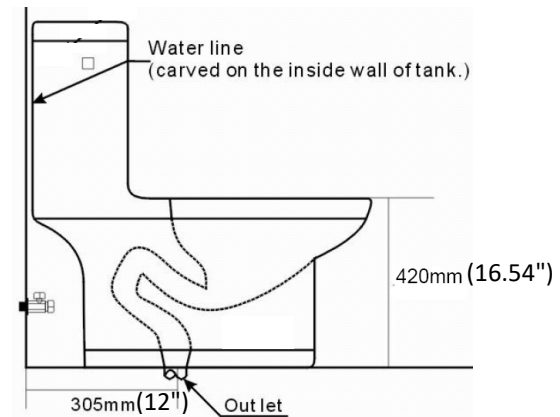
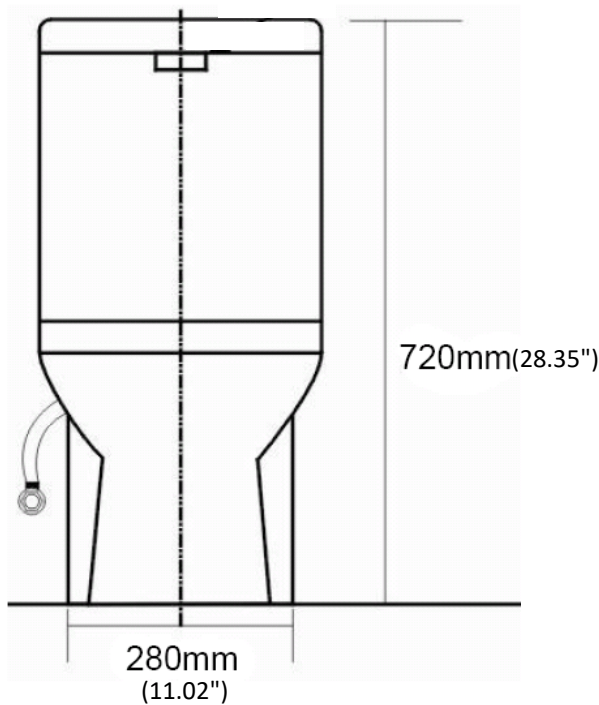
- 28.35" x 17.32" x 28.35"
- One Piece Elongated
- 2" Full Glazed Trapway
- 12 Inches Rough In
- Siphon Jet Bowl Flush
- 1.28GPF/4.8LPF
- 800 Gram MAP
- Vitreous China

CODES:

ASME A112.19.3/CSA B45.4, cUPC
ADA Compliant



Product Diagram



1-877-500-SINK (7465)

WEST COAST WAREHOUSE: 510-667-9998  EAST COAST WAREHOUSE: 404-691-5088

WWW.AMERISINK.COM