

## Features

- 23.15" x 18.15" x 5.5"
- 18 gauge, 304 stainless steel
- Undermount sink
- Easy-to-clean, brushed finish
- Spray insulated undercoating & sound pads
- Includes template & installation hardware
- Limited lifetime warranty

### OPTIONAL ACCESSORY:

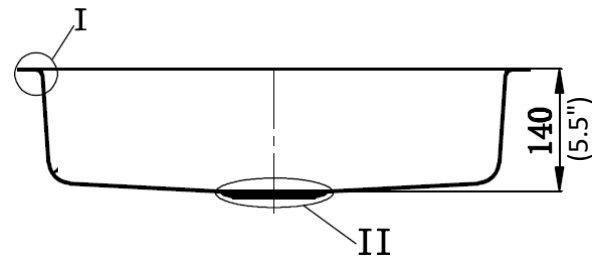
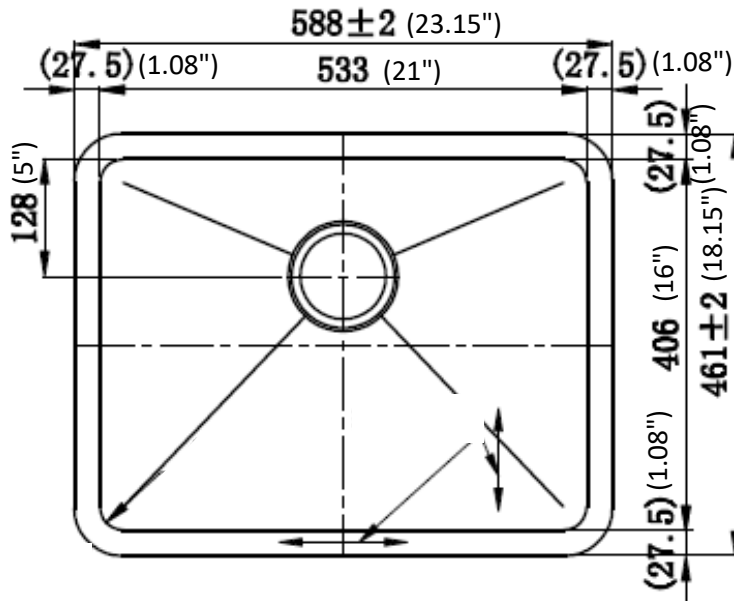
BG 151 Bottom Grids

### CODES:

ASME A112.19.3/CSA B45.4, cUPC  
ADA Compliant



## Product Diagram



**1-877-500-SINK (7465)**

WEST COAST WAREHOUSE: 510-667-9998  EAST COAST WAREHOUSE: 404-691-5088

**WWW.AMERISINK.COM**